

ICA

**CNC MACHINING PRO
PART 1 AND PART 2
DISTRIBUTION DAY**



AGENDA

Type your name and the name of anyone also with you on the call, into the chat

YELLOW Preparation Documentation

YELLOW Prep-Questions

Reminders

Important Dates

APPRENTICE RESOURCE PAGES

ICATT resource webpage - thumbs up if you have visited this page for any reason before!



www.icattapprenticeships.com/resources/apprentices

YELLOW DOCUMENTATION

CNC Machining Pro Exam Preparation Documentation Part 1 2026

Test Taker first and last name:

Test Taker number:

Test Taker company:

This examination assignment set was resolved by a committee composed of members from different regions of Germany in accordance with § 40. It has been developed for implementation and acceptance of examinations and reviewed by the GACC Midwest, Inc. exam board for certification of examinations. Neither the examination assignment set nor products based on it are intended for commercial use, reproduction or distribution



German American
Chambers of Commerce
Deutsch-Amerikanische

German American Chamber of Commerce
of the Midwest, Inc.
150 North Michigan Avenue, 35th Floor
Chicago, Illinois 60601

“YELLOW” indicates PRE-Exam information/work

- these documents are watermarked as YELLOW and are ideally printed on Yellow paper.

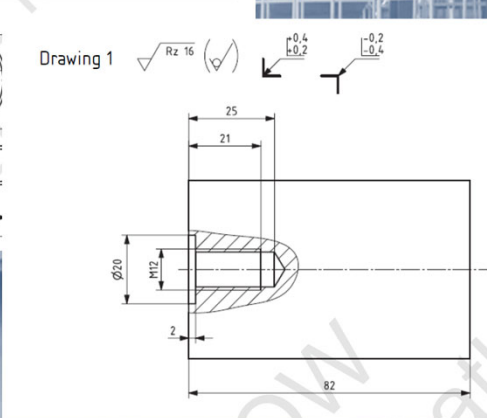
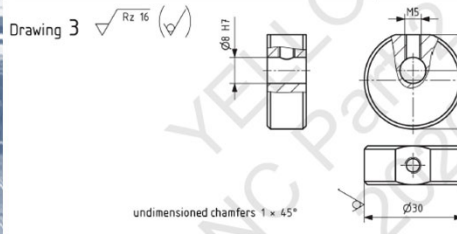
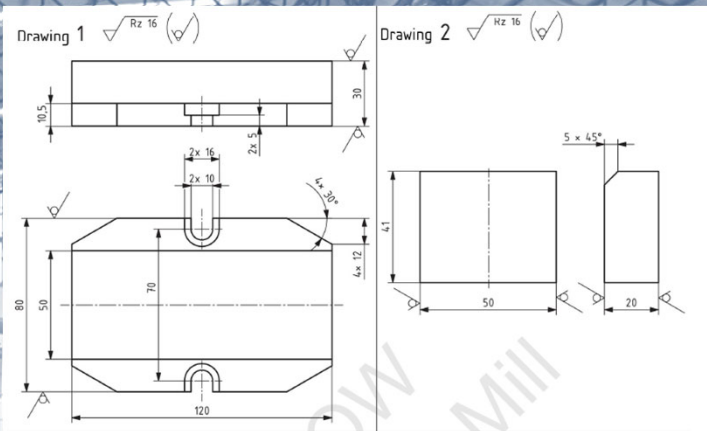
Information on the Yellow documents includes

- Tools
- Metal
- Hardware
- Prefabrication

Order the tooling, metal, and hardware if you need them and pre-fabricate any parts.

Part 1 has no prefabrication drawings to complete this year. BUT you do need to cut/prepare your material to the specified dimensions and may need to order/make hardware. As that is your starting point for your time limited exam project. Materials should be ready by April 10th.

YELLOW DOCUMENTATION



Part 2 Mill and Lathe have prefabrication to complete

- Estimated time 8 hours
- Required CNC documentation for planning and implementation must be used for prefabrication
- Complete pre-fabrication by April 10th

ALL CNC apprentices Part 1 and Part 2 will get your official final projects April 10th.

YELLOW PREP-QUESTIONS

YELLOW Prep Questions worksheet

Acts as a study guide as well as a review of important information- use the following:

- Yellow Preparation Documentation
- Blue Metal Trades handbook
- CNC Project Instructions for Part 1 and Part 2
- Important Dates doc

DUE MARCH 26th to:

Geneva - Scurek@gaccmidwest.org

If submitted online trainer receives a copy of answers to review. Submitted answers can be edited.
If submitted on paper, trainers and apprentices sign and return.

CNC Exam Prep-Questions

* Required

CNC General Part 1 & 2

Use your "yellow" preparation material, blue Mechanical and Metal trades handbook and information on the Apprentice resource page to answer the following questions. Note pages from your Mechanical and Metal trades handbook if relevant.

3

Where can you download a copy of the yellow preparation documentation? *

Enter your answer

4

Where can you find instructions and the additional required documents such as the planning and implementation sheets for your final project? *

YELLOW DOCUMENTATION

- YELLOW preparation document
 - Prep Question worksheet for Part 1 and Part 2 Mill and Lathe
- can be found on the resource page.

CNC Part 1 Exam Preparation Documents

- ▶ [YELLOW CNC Part 1 2026](#)
- ▶ Prep questions can be submitted online via this [link to CNC P](#)
[CNC Part 1 Prep Questions 2026](#) (Due 3/26/2026)
- ▶ [CNC Part 1 Study Guide](#)
- ▶ [CNC Part 1 Exam Prep Workshop](#) – How to use the yellow prep

CNC Part 2 Exam Preparation Documents

- ▶ [YELLOW CNC Part 2 Mill 2026](#)
- ▶ [YELLOW CNC Part 2 Lathe 2026](#)

PRACTICAL EXAM TIMING

EXAM SCHEDULE

Practical

- Part 1 – 5.5 hours to complete the project starting with raw stock cut to dimension
- Part 2 – Lathe: 5 hours to complete the project from prefabricated status and raw stock
- Part 2 – Mill: 5 hours to complete the project from prefabbed status and raw stock

- ALL CNC projects with all required documentation are due on the day of the written exam June 3rd and must be brought to testing for the inspection part of your exam at the test center. A digital copy must be submitted by June 3rd as well.
- **ALL CNC companies must send the hard copy of their documentation and final project parts to the location specified by GACC to arrive by June 8th**
- Oral exams take place virtually via Teams June 17, 18, 19, 22, 23

Exact Dates and Times of your written and oral exams will be posted on the resource page and sent to you via email by April 10th.

WRITTEN EXAM SCHEDULE

Written Exam Part 1 Agenda – Wednesday, June 4th - Please arrive 15 min before start to check-in. Note paper and reference drawings will be provided.

- 12:45am** **CNC Part 1 Start time!** access online testing platform and written exam instructions
- 1:00pm** **CNC Part 1 Start Exam** - (100 min)
- 2:40pm** **CNC Part 1 End Exam**
- 3:40pm** **CNC Part 1** Return for Planning instructions

Written Exam Part 2 Agenda – Wed. June 4th – Please arrive 15 min before start to check-in. Note paper and reference drawings will be provided.

- 9:00am** **CNC Part 2 Start time!** access online testing platform and written exam

EXAM AGENDAS 2026

Empty section. Edit page to add content here.

- ~4:30pm** **CNC Part 1 End Inspection**

- 12:20pm** **CNC Part 2 End exam 2** - Lunch break
- 12:55pm** **CNC Part 2** Return from lunch break for instructions
- 1:05pm** **CNC part 2 Start Exam 3** – (Project 2/3 (115 min)
- 3:00pm** **CNC part 2 End Exam 3**
- 3:10pm** **CNC Part 2** Return for Planning instructions
- 3:15pm** **CNC Part 2 Start Practical Planning** (30 min)
- 3:45pm** **CNC Part 2 End Practical Planning**
- ~3:50pm** **CNC Part 2** Return for Inspection instructions
- ~3:50pm** **CNC Part 2 Start Inspection** (40 min) – you will need your own measuring equipment
- ~4:30pm** **CNC Part 2 End Inspection**

You bring your project and measuring tools!

REMINDERS

LOGBOOKS

ICATT 3rd year apprentices - submit logbooks electronically to scurek@gaccmidwest.org by June 30th including all recorded work hours through at least May 31st, 2026

CALCULATORS

- Non-programmable
- Non-communicable
- Must be able to do trigonometry (sin/cosin/tan)

BLUE BOOK ERROR

- Pg 330, 332, 333 – Cutting velocity should be m/min!

IMPORTANT DATES

Applies to all ICATT apprentices		
DATE	WHO?	Description of EVENT or Deadline
Thurs, March 26 th	Due date ALL CNC Apprentices No meeting – submission only scurek@gaccmidwest.org	MANDATORY! – Prep-Worksheet due, demonstrating that apprentice and trainer have read and are familiar with the “YELLOW” preparation documentation received March 14 th – NO meeting
Friday, April 10 th	All CNC Part 1 and Part 2 12pm-1pm CST	MANDATORY for Apprentices and trainers, CNC Part 1 and Part 2 – Virtual in company project Distribution Day. This is your FINAL EXAM project!
Friday, May 8 th	Final Study Prep Q&A 12pm-1pm CST	Optional virtual event

EXAM DATES

CNC Part 1 & 2 Written Exam and Practical project due date!		
College of Apprenticeship	Testing Location	Written exam and project due date
SWIC	SWIC	Wednesday, June 3, 2026
Elgin CC	McHenry CC	
Macomb	Macomb	
GACC South	TBC	

CNC Part 1 & 2 Oral Exam		
Company of Apprenticeship	Testing Location	Testing date
PCS Company	Virtual (TEAMS)	June 17, 2026
HU / Wittenstein / EDMIS / Haering		June 17, 18, 2026
Seyer		June 19, 22, 23, 2026

NEXT STEPS:

CNC Part 1 & 2

Prep Questions due March 26th

Expect email with details on locations, times of testing by April 10th.

CNC Par 1 & 2

Final Project distribution April 10th